

# OPMI 1 FC

Quality is a timeless value



## Quality is reliability



**Today, just as in the past, quality and precision represent timeless values in medicine. Quality and trust go hand-in-hand, which is why surgeons around the world rely on the brilliant optics and innovative technologies from Carl Zeiss in their daily work – for routine examinations as well as surgical procedures.**

ENT specialists have trusted the time-tested technology of the OPMI® 1 FC surgical microscope for over 50 years. The system symbolizes quality, precision and reliability. By helping to define the field of microsurgery and the development of new surgical techniques, the system has built its own legacy.

**“Zeiss truly is a pioneer in otologic surgery. Much of what we do today wouldn’t be possible without the use of its operating microscope.”**

*Dr. John W. House, President of the House Ear Institute in Los Angeles, California/USA*

# Quality is in the details

OPMI 1 FC delivers crisp, high fidelity images, quickly and easily perfected with the precision fine focus functionality. The images can be easily captured and stored digitally for post-operative documentation and assessment when a compact digital camera is attached to the system using the FlexioStill™ camera adapter. With the integration of the MediLive® Primo video camera, video sequences can be displayed live on a monitor during surgery, allowing the surgical team to view the procedure in real time. These informative treatment videos and images can be quickly recorded with MEDIALINK™ 100 and used for further processing.

Designed for flawless system operation, the quick-action lamp changer allows users to switch to the spare lamp at the push of a button. Brightness adjustments are also quickly fine-tuned and are ergonomically located within the surgeon's reach. After completing the procedure, the system can be conveniently moved away from the operating field and automatically shut off by raising the microscope arm upward into the stand-by position.

*Get the right image everytime  
with the FlexioStill camera adapter*



*View live video sequences  
with the MediLive Primo*



*Don't miss a beat with the  
quick-action lamp changer*



*System illumination is  
automatically activated  
or shut off when moved into the  
working or stand-by position*



## Quality is application efficiency



When it comes to routine examinations and surgical procedures, OPMI 1 FC leaves nothing to be desired. The system's 5-step magnification changer, its broad objective lens range – spanning in focal length from 200 mm to 400 mm – enable flexible adjustment for virtually every ear, nose and throat application. The quick and easy attachment of a CO<sub>2</sub>-laser micromanipulator widens OPMI 1 FC's application spectrum to

include minimally invasive larynx surgery, ensuring application versatility.


Versatile applications options, excellent surgical performance, effortless system operation all add up to a single element: an adaptable, dynamic visualization armamentarium for all ENT applications.

## Quality is adaptability

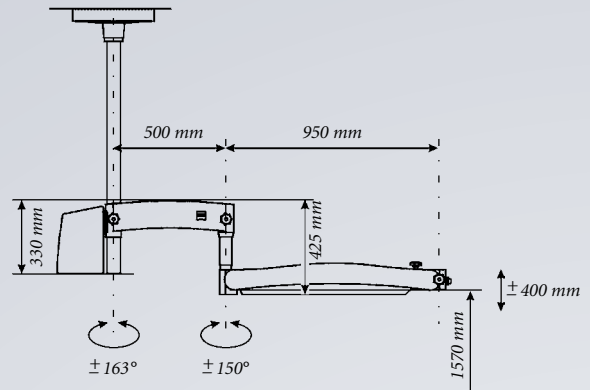


OPMI 1 FC is a flexible system – easy to maneuver and quickly brought into virtually any position. When not in use, the microscope compactly folds together, providing additional space in typically crowded operating rooms.

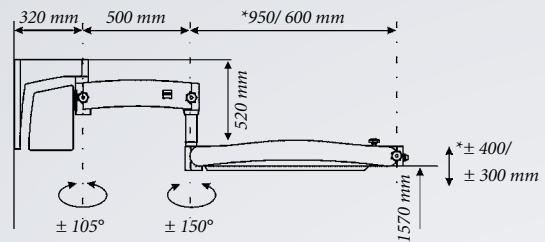
OPMI 1 FC is always on stand-by, unfolding its full dynamic performance in a single sweep. Highly versatile, the system intelligently combines a simple design with solid operating quality and time-tested ZEISS technology. Whether used in combination with the S 100 floor stand, ceiling mount or wall mount, OPMI 1 FC seamlessly adapts itself to virtually every operating room environment – both large and small.

Technical Data OPMI 1 FC / S 100	
Tubes, Eyepieces	- Straight binocular tube, $f = 170$ mm - Option: Tiltable binocular tube, $f = 170$ mm or $f = 200$ mm - 10x or 12.5x widefield eyepieces
Objective lenses	Different focal lengths from $f = 200$ mm to $f = 400$ mm, graded in steps of 50 mm.
Magnification	Manual, 5-step magnification changer, magnification factor $\gamma = 0.4x-2.5x$
Focusing	Manual, using the focus adjusting knob, focusing range: 40 mm
Illumination	- Coaxial illumination, supply via light guide - 2 x 12V 100W halogen reflector lamp - Spare lamp with quick-action lamp changer
Maximum load on suspension arm	2.5 to 7.0 kg (complete microscope equipment including accessories and coupling)
Rated voltage	115 VAC (100–120 VAC $\pm 10\%$ ) 230 VAC (220–240 VAC $\pm 10\%$ )
Power consumption	115 VAC max. 2.0 A 230 VAC max. 1.0 A
Rated frequency	50 – 60 Hz
Fuses	Fuse link 115 V~ T 6.3 A/H 250 V 230 V~ T 3.15 A/H 250 V
	

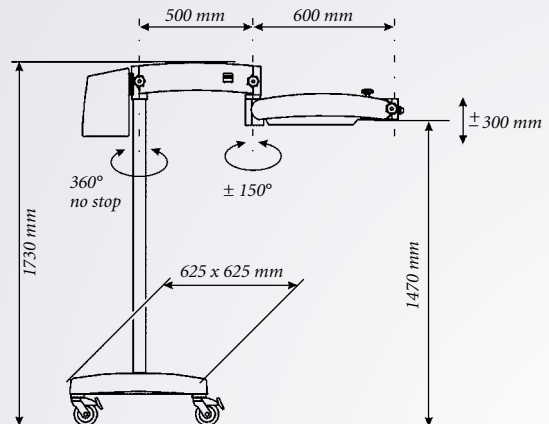
S 100 Ceiling Mount  
Weight: approx. 55 kg



S 100 Wall Mount  
Weight: approx. 45 kg  
\* long/short suspension arm



S 100 Floor Stand  
Weight: approx. 90 kg



US\_30\_010\_319111 Printed in Germany AW-CZ-IX/2009 To  
Subject to change in design and scope of delivery and as a result of ongoing technical development.

OPMI and MediLive are registered trademarks of Carl Zeiss.  
FlexioStill and MEDIALINK are trademarks of Carl Zeiss. ©2009 Carl Zeiss

### Carl Zeiss Meditec, Inc.

5160 Hacienda Drive  
Dublin, CA 94568  
USA

Toll free: +1-800-442-4020  
Phone: +1-925-557-4100  
Fax: +1-925-557-4101

i.info@meditec.zeiss.com  
www.meditec.zeiss.com/ent